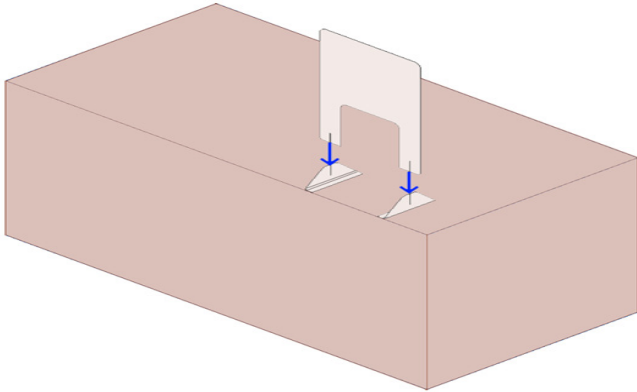
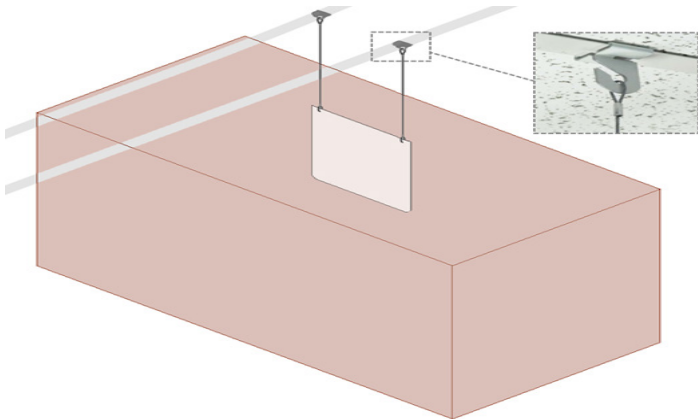


Installation Guide



Free Standing Installation Instructions:

1. Locate the desired location on counter to place Clerguard.
2. For temporary mounting solution, use provided channel lock 3M velcro. For a permanent mounting solution, use supplied hardware to fasten to counter top.
3. Slide the Clerguard over the feet, lining up the slots to install the shield.
4. Basic option: Feet do not mount to countertop, insert acrylic feet into slots to stand.



Hanging Mount Installation Instructions:

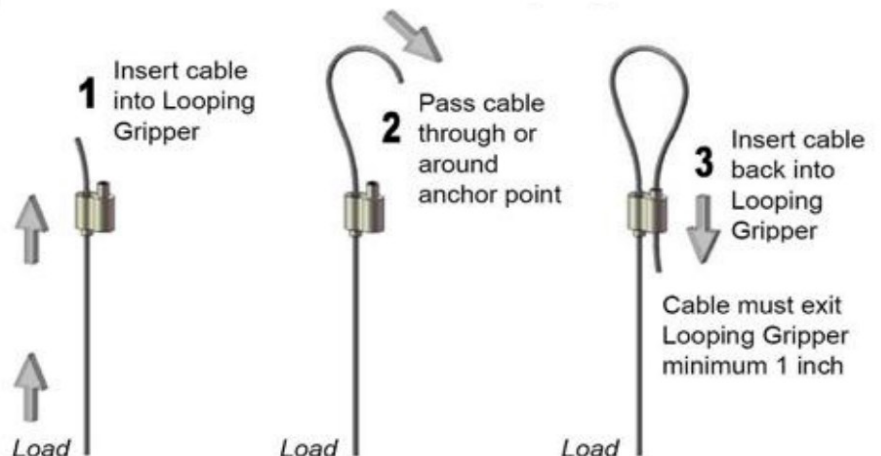
1. Locate the desired location for Clerguard.
2. Supplied clip attaches to existing drop ceiling.
3. Using provided cables and looping grippers, hang Clerguard from the hangers to provided holes.
4. Follow the procedure below to use the looping grippers:

Cable Adjustment

Relieve load from cable, press plunger, & adjust cable height. Release plunger and Looping Gripper locks the cable.

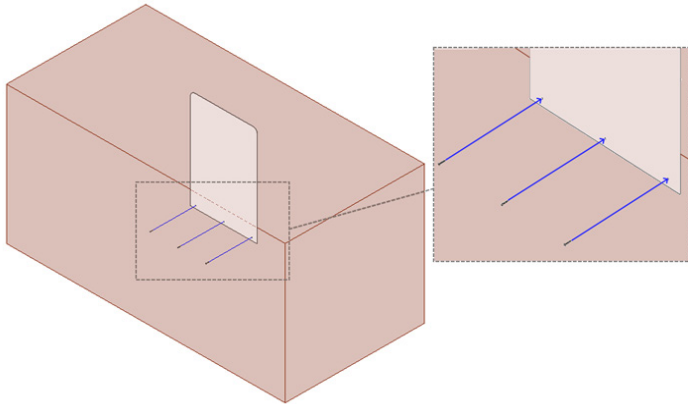
Installation Notes

Looping Gripper must maintain a minimum 2 inch distance from all suspended objects / support structures.



clērguard

Installation Guide



Counter Mount Installation Instructions:

1. Identify the desired location for Clērguard.
2. If counter is made of wood, use provided wood screws to mount Clērguard using the 3 mounting holes.
3. If counter is not a wooden material, use an appropriate fastener to mount Clērguard.
4. Ensure Clērguard is level.

Cleaning Instructions

To disinfect, use a solution of water and mild detergent, such as Lysol, dish soap, or chlorine bleach. Do not use solvents such as alcohol or thinners to clean as these will damage the surface. Window cleaners can be used to remove streaks from the surface, but are not sufficient for disinfecting.

